



# SOLAR POND PUMP

**\*Please Note:** This pump is only suitable for ponds. Not Pools.



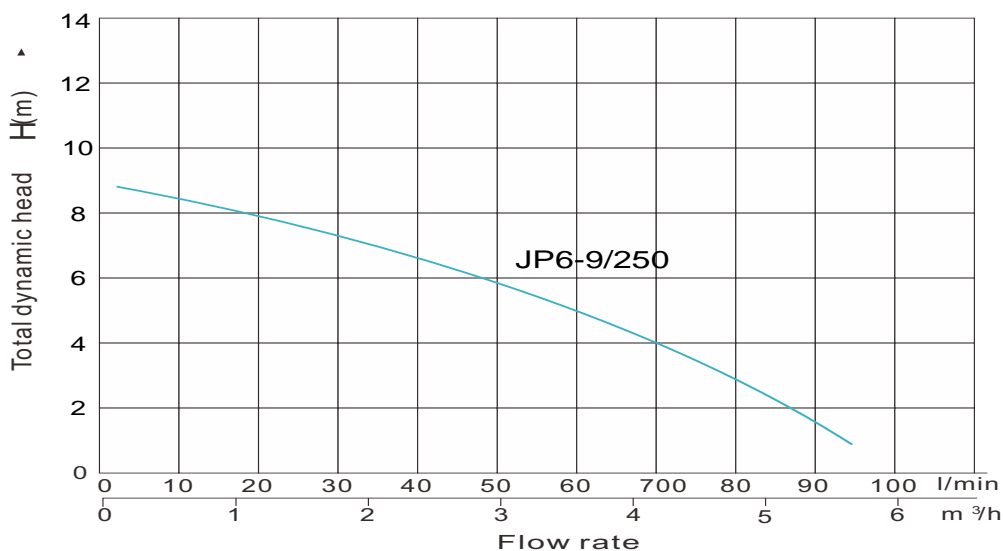
JP6-9/250

Quiet running single-stage centrifugal pumps, complete with prefilter.

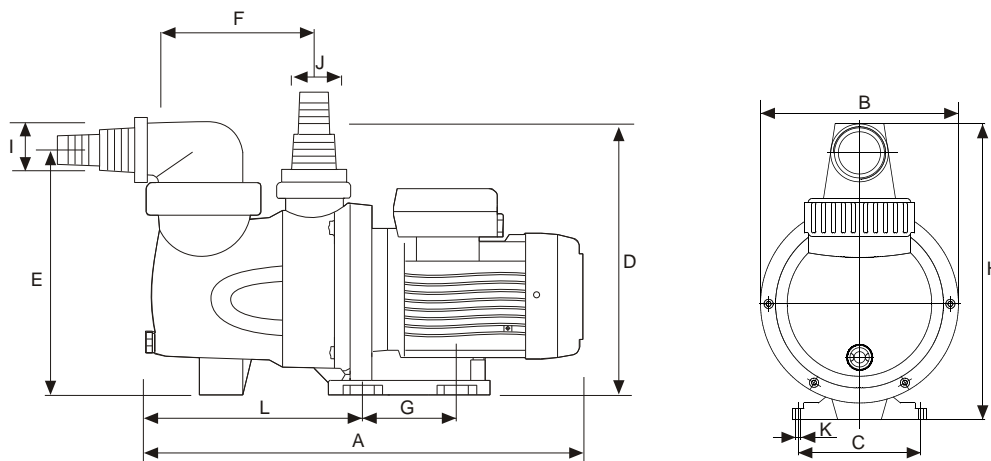
**Materials:**

Pump body, pump foot and diffuser in glass loaded polypropylene.  
 Impeller and seal mounting in PPO.  
 Motor shaft in stainless steel AISI-420.  
 Mechanical seal in graphite and ceramic,  
 Motor housing in aluminum L-2521.

**Motor:**



Model	Pump Voltage (V)	Pump Power (W)	Solar Array Voltage (V)	Solar Array Power (W)	Max. Flow (m³/h)	Max. Head (m)	Outlet (mm/mm)
JP6-9/250	24	250W(0.35HP)	36	≥1.3*PUMPPOWER	6	9	38 or 40



A	B	C	D	E	F	G	H	L	I	J	K
400	160	100	250	231	158	90	210	203	φ40	φ32/40	4-φ9